

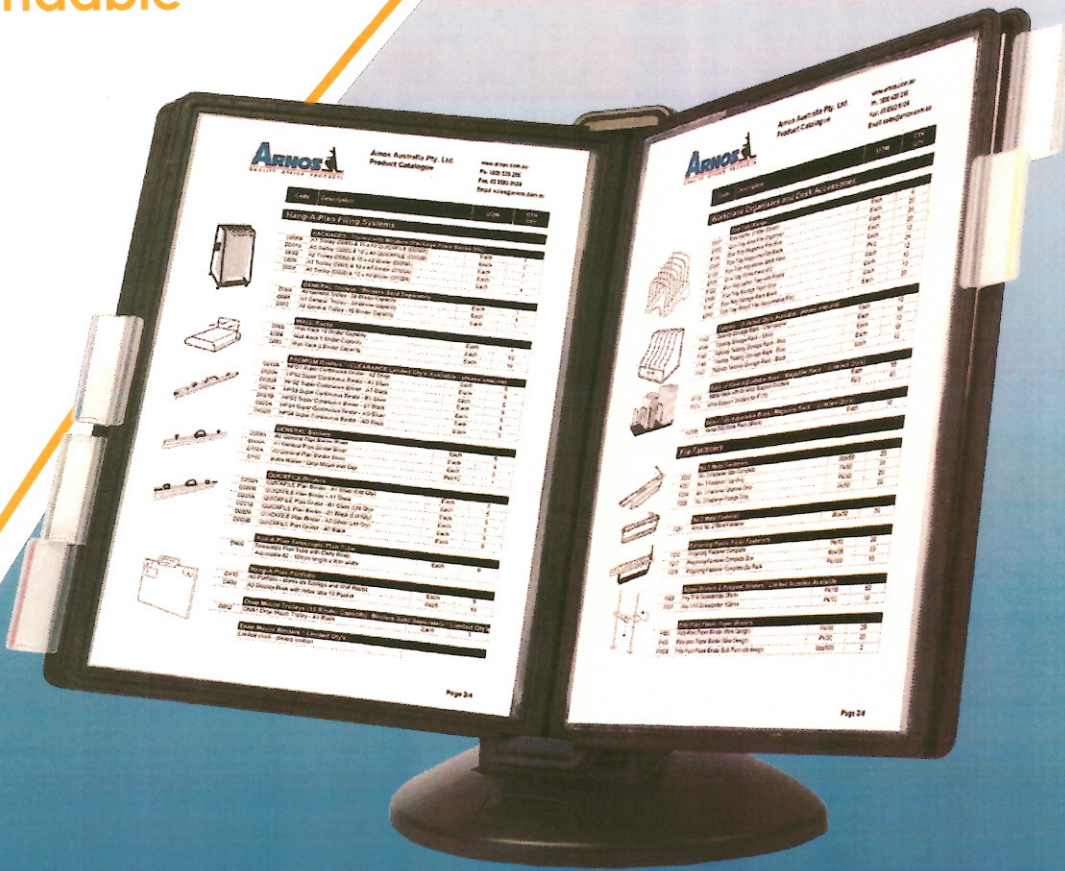


Your Instant Information System

Desktop Display

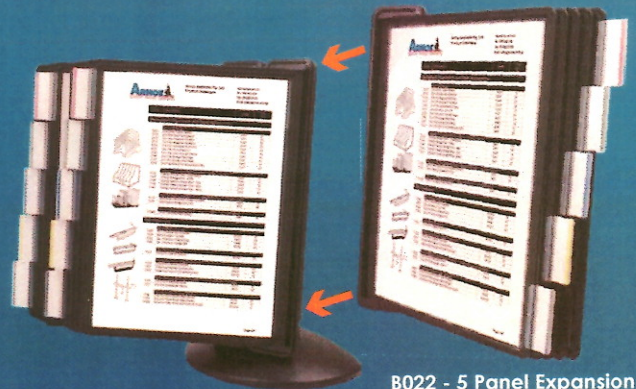
5 Panel / 10 Sheet

Expandable



Features

- Instant access to 10 x A4 sheet
- Expandable to 10 or 15 panels
- Adjustable viewing angle
- Adjustable index tabs
- Easy access pocket design
- Anti-glare, copy safe pockets
- Attractive weighted stand
- Item Code: B020

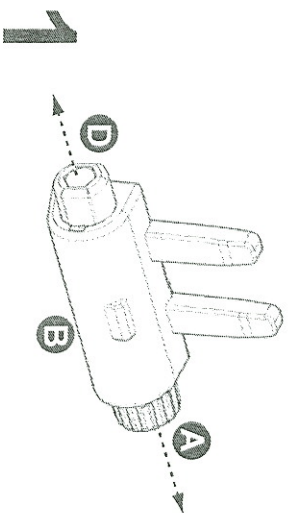


B022 - 5 Panel Expansion

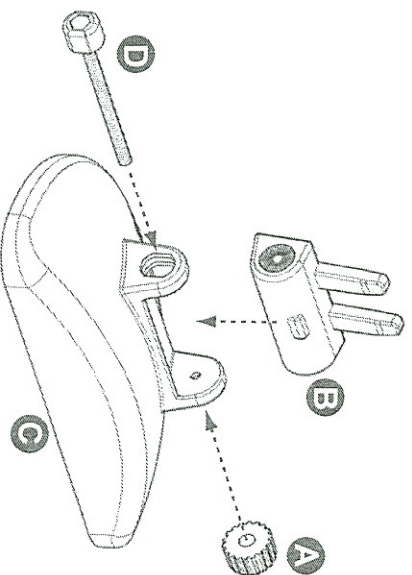
Access and display information on tables, desks and counters in offices, reception areas, lobbies, households and more ...

ASSEMBLY INSTRUCTIONS

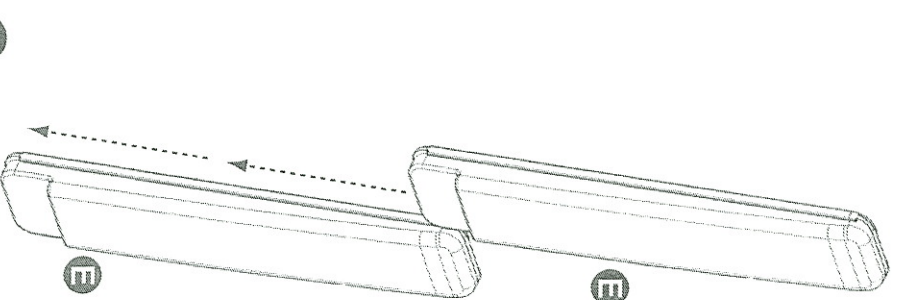
Items B020, B021



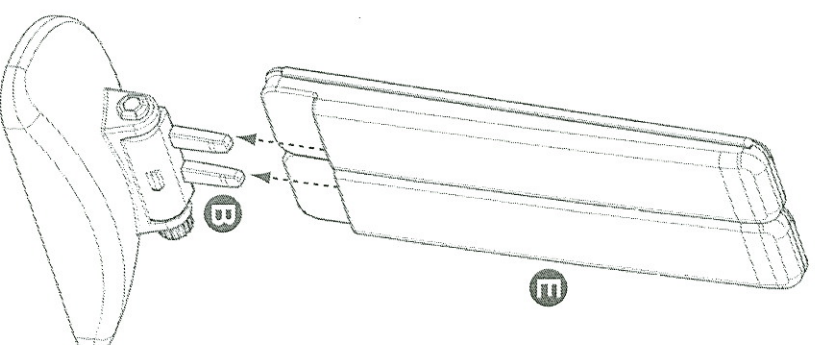
1 Unscrew Knob **A** from Pivot Part **B** and remove Bolt **D**



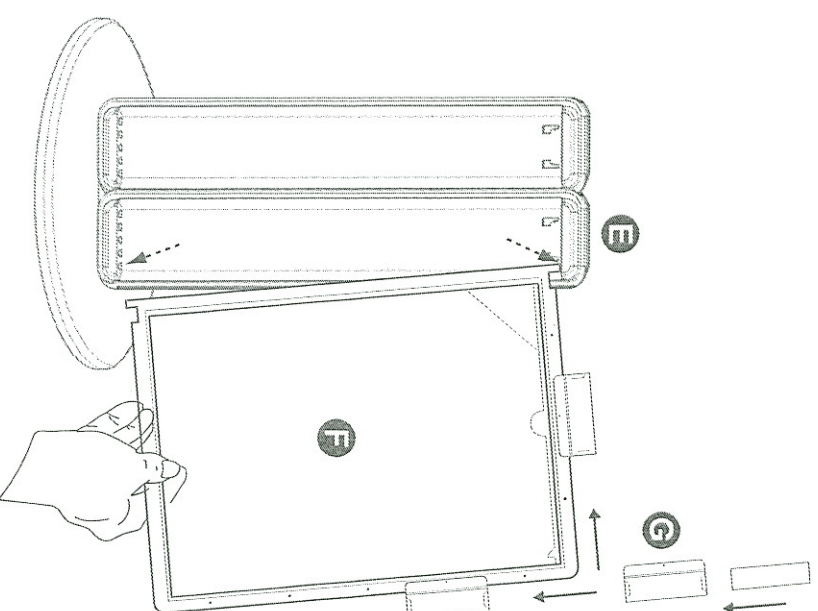
2 Add Pivot Part **B** to the correct position on the Base **C** , insert Bolt **D** as show in diagram , re-apply Knob **A** and tighten.



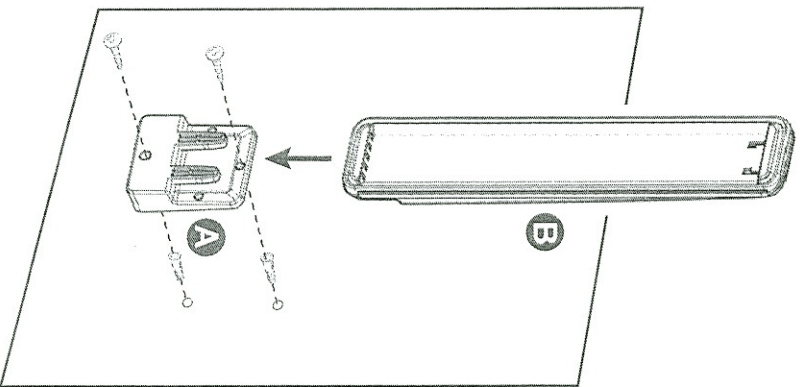
3 For 5 Panel System skip to STEP 4
For 10 and 15 Panels systems
Join Brackets **E** together by sliding the one Bracket into the channel on the other Bracket as shown in the diagram.



4 Add Bracket **E** to the assembled base.
The two post on Pivot Part **B** insert into the back of the Bracket **E** . Use the two most centred holes if more than one Bracket is joined.

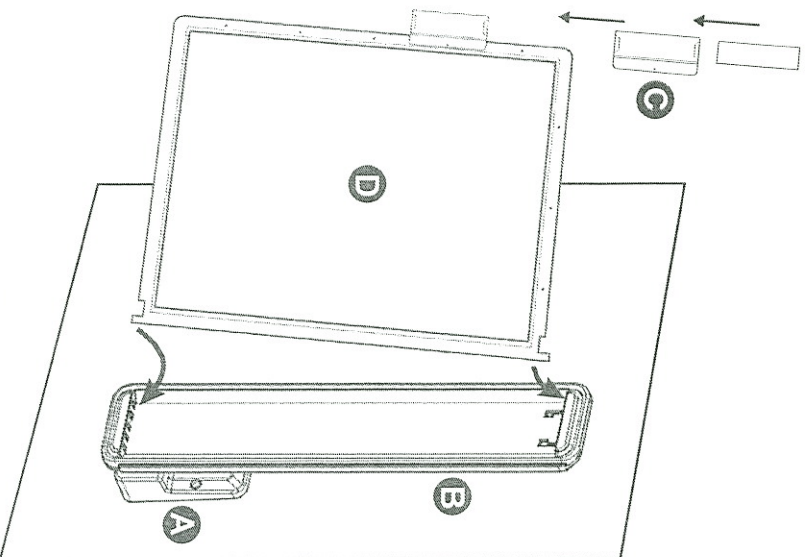


5 Insert Display Panels **F** into Bracket **E**
Add Index Tabs **G** to Display Panels
TO ADJUST VIEWING ANGLE loosen Knob **A** move to desired angle and tighten Knob **A**
Make sure the Knob is tight to minimise movement. If the bracket is pushed hard, it will also click into different angle positions.



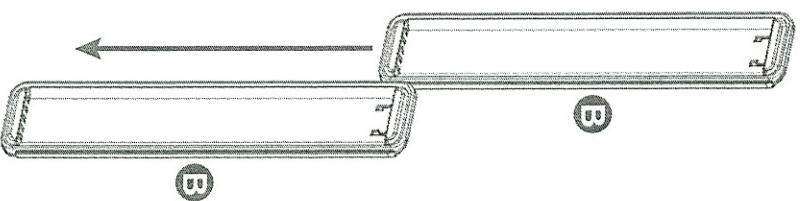
1 Attach Wall Mount Plate

- Use the Wall Mount Plate **A** as a guide and mark at least two screw holes on the wall in the desired location. Use a level to make sure holes are in a level straight line.
- If you are attaching to a wood stud in a wall, use two screws and screw Plate **A** to stud in wall.
- To attach to plaster, concrete or brick walls, use the plastic anchors and fix screws into anchors.



2 Add Bracket / Panels

- The two posts on the Wall Mount Plate **A** insert into the back of the Bracket **B**
- Insert Display Panels **D** into Bracket **B**
- Index Tabs **C** click into the side or top of Frame on Display Panels **D**



3 Expanding

- Join Brackets **B** together by sliding one Bracket into the channel on the other Bracket as shown in the diagram. One Wall Mount Plate can hold a Maximum of 3 joined Brackets (15 panel total)
- Use the two most centred holes on joined brackets when fitting brackets to wall plate or desk base

